

## LM741 Operational Amplifier

 Check for Samples: [LM741](#)

### FEATURES

- **Overload Protection on the Input and Output**
- **No Latch-Up When the Common Mode Range is Exceeded**

### DESCRIPTION

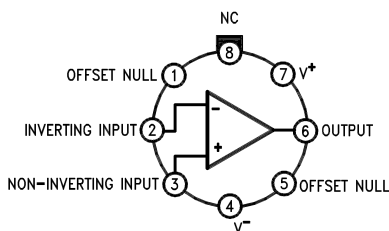
The LM741 series are general purpose operational amplifiers which feature improved performance over industry standards like the LM709. They are direct, plug-in replacements for the 709C, LM201, MC1439 and 748 in most applications.

The amplifiers offer many features which make their application nearly foolproof: overload protection on the input and output, no latch-up when the common mode range is exceeded, as well as freedom from oscillations.

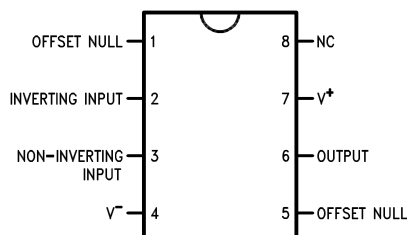
The LM741C is identical to the LM741/LM741A except that the LM741C has their performance ensured over a 0°C to +70°C temperature range, instead of –55°C to +125°C.

### Connection Diagrams

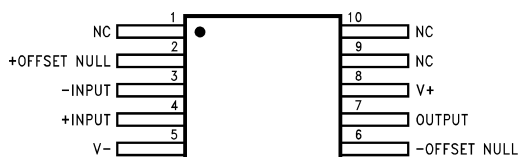
LM741H is available per JM38510/10101



**Figure 1. TO-99 Package**  
See Package Number LMC0008C



**Figure 2. CDIP or PDIP Package**  
See Package Number NAB0008A, P0008E



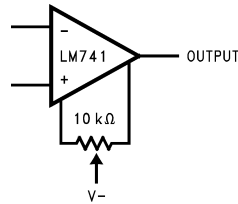
**Figure 3. CLGA Package**  
See Package Number NAD0010A



Please be aware that an important notice concerning availability, standard warranty, and use in critical applications of Texas Instruments semiconductor products and disclaimers thereto appears at the end of this data sheet.

All trademarks are the property of their respective owners.

## Typical Application



**Figure 4. Offset Nulling Circuit**



These devices have limited built-in ESD protection. The leads should be shorted together or the device placed in conductive foam during storage or handling to prevent electrostatic damage to the MOS gates.

## Absolute Maximum Ratings<sup>(1)(2)(3)</sup>

	LM741A	LM741	LM741C
Supply Voltage	±22V	±22V	±18V
Power Dissipation <sup>(4)</sup>	500 mW	500 mW	500 mW
Differential Input Voltage	±30V	±30V	±30V
Input Voltage <sup>(5)</sup>	±15V	±15V	±15V
Output Short Circuit Duration	Continuous	Continuous	Continuous
Operating Temperature Range	-55°C to +125°C	-55°C to +125°C	0°C to +70°C
Storage Temperature Range	-65°C to +150°C	-65°C to +150°C	-65°C to +150°C
Junction Temperature	150°C	150°C	100°C
Soldering Information			
P0008E-Package (10 seconds)	260°C	260°C	260°C
NAB0008A- or LMC0008C-Package (10 seconds)	300°C	300°C	300°C
M-Package			
Vapor Phase (60 seconds)	215°C	215°C	215°C
Infrared (15 seconds)	215°C	215°C	215°C
ESD Tolerance <sup>(6)</sup>	400V	400V	400V

- (1) "Absolute Maximum Ratings" indicate limits beyond which damage to the device may occur. Operating Ratings indicate conditions for which the device is functional, but do not ensure specific performance limits.
- (2) For military specifications see RETS741X for LM741 and RETS741AX for LM741A.
- (3) If Military/Aerospace specified devices are required, please contact the TI Sales Office/Distributors for availability and specifications.
- (4) For operation at elevated temperatures, these devices must be derated based on thermal resistance, and  $T_j$  max. (listed under "Absolute Maximum Ratings").  $T_j = T_A + (\theta_{JA} P_D)$ .
- (5) For supply voltages less than ±15V, the absolute maximum input voltage is equal to the supply voltage.
- (6) Human body model, 1.5 kΩ in series with 100 pF.

## Electrical Characteristics<sup>(1)</sup>

Parameter	Test Conditions	LM741A			LM741			LM741C			Units
		Min	Typ	Max	Min	Typ	Max	Min	Typ	Max	
Input Offset Voltage	$T_A = 25^\circ\text{C}$ $R_S \leq 10 \text{ k}\Omega$ $R_S \leq 50 \Omega$					1.0	5.0		2.0	6.0	mV
	$T_{AMIN} \leq T_A \leq T_{AMAX}$ $R_S \leq 50 \Omega$ $R_S \leq 10 \text{ k}\Omega$		0.8	3.0						7.5	mV
Average Input Offset Voltage Drift				15							$\mu\text{V}/^\circ\text{C}$

- (1) Unless otherwise specified, these specifications apply for  $V_S = \pm 15\text{V}$ ,  $-55^\circ\text{C} \leq T_A \leq +125^\circ\text{C}$  (LM741/LM741A). For the LM741C/LM741E, these specifications are limited to  $0^\circ\text{C} \leq T_A \leq +70^\circ\text{C}$ .

**Electrical Characteristics<sup>(1)</sup> (continued)**

Parameter	Test Conditions	LM741A			LM741			LM741C			Units
		Min	Typ	Max	Min	Typ	Max	Min	Typ	Max	
Input Offset Voltage Adjustment Range	$T_A = 25^\circ\text{C}$ , $V_S = \pm 20\text{V}$	$\pm 10$					$\pm 15$			$\pm 15$	mV
Input Offset Current	$T_A = 25^\circ\text{C}$		3.0	30		20	200		20	200	nA
	$T_{AMIN} \leq T_A \leq T_{AMAX}$			70		85	500			300	
Average Input Offset Current Drift				0.5							nA/°C
Input Bias Current	$T_A = 25^\circ\text{C}$		30	80		80	500		80	500	nA
	$T_{AMIN} \leq T_A \leq T_{AMAX}$			0.210			1.5			0.8	$\mu\text{A}$
Input Resistance	$T_A = 25^\circ\text{C}$ , $V_S = \pm 20\text{V}$	1.0	6.0		0.3	2.0		0.3	2.0		M $\Omega$
	$T_{AMIN} \leq T_A \leq T_{AMAX}$ , $V_S = \pm 20\text{V}$	0.5									
Input Voltage Range	$T_A = 25^\circ\text{C}$							$\pm 12$	$\pm 13$		V
	$T_{AMIN} \leq T_A \leq T_{AMAX}$				$\pm 12$	$\pm 13$					
Large Signal Voltage Gain	$T_A = 25^\circ\text{C}$ , $R_L \geq 2\text{ k}\Omega$ $V_S = \pm 20\text{V}$ , $V_O = \pm 15\text{V}$ $V_S = \pm 15\text{V}$ , $V_O = \pm 10\text{V}$	50									V/mV
	$T_{AMIN} \leq T_A \leq T_{AMAX}$ , $R_L \geq 2\text{ k}\Omega$ , $V_S = \pm 20\text{V}$ , $V_O = \pm 15\text{V}$ $V_S = \pm 15\text{V}$ , $V_O = \pm 10\text{V}$	32									V/mV
	$V_S = \pm 5\text{V}$ , $V_O = \pm 2\text{V}$	10			25			15			
Output Voltage Swing	$V_S = \pm 20\text{V}$ $R_L \geq 10\text{ k}\Omega$ $R_L \geq 2\text{ k}\Omega$	$\pm 16$ $\pm 15$									V
	$V_S = \pm 15\text{V}$ $R_L \geq 10\text{ k}\Omega$ $R_L \geq 2\text{ k}\Omega$				$\pm 12$ $\pm 10$	$\pm 14$ $\pm 13$		$\pm 12$ $\pm 10$	$\pm 14$ $\pm 13$		V
Output Short Circuit Current	$T_A = 25^\circ\text{C}$ $T_{AMIN} \leq T_A \leq T_{AMAX}$	10 10	25	35 40		25			25		mA
Common-Mode Rejection Ratio	$T_{AMIN} \leq T_A \leq T_{AMAX}$ $R_S \leq 10\text{ k}\Omega$ , $V_{CM} = \pm 12\text{V}$ $R_S \leq 50\Omega$ , $V_{CM} = \pm 12\text{V}$	80	95		70	90		70	90		dB
Supply Voltage Rejection Ratio	$T_{AMIN} \leq T_A \leq T_{AMAX}$ , $V_S = \pm 20\text{V}$ to $V_S = \pm 5\text{V}$ $R_S \leq 50\Omega$ $R_S \leq 10\text{ k}\Omega$	86	96		77	96		77	96		dB
Transient Response	$T_A = 25^\circ\text{C}$ , Unity Gain	Rise Time	0.25	0.8		0.3			0.3		$\mu\text{s}$
		Overshoot	6.0	20		5			5		%
Bandwidth <sup>(2)</sup>	$T_A = 25^\circ\text{C}$	0.437	1.5								MHz
Slew Rate	$T_A = 25^\circ\text{C}$ , Unity Gain	0.3	0.7			0.5			0.5		V/ $\mu\text{s}$
Supply Current	$T_A = 25^\circ\text{C}$					1.7	2.8		1.7	2.8	mA
Power Consumption	$T_A = 25^\circ\text{C}$		80	150							mW
	$V_S = \pm 20\text{V}$ $V_S = \pm 15\text{V}$					50	85		50	85	

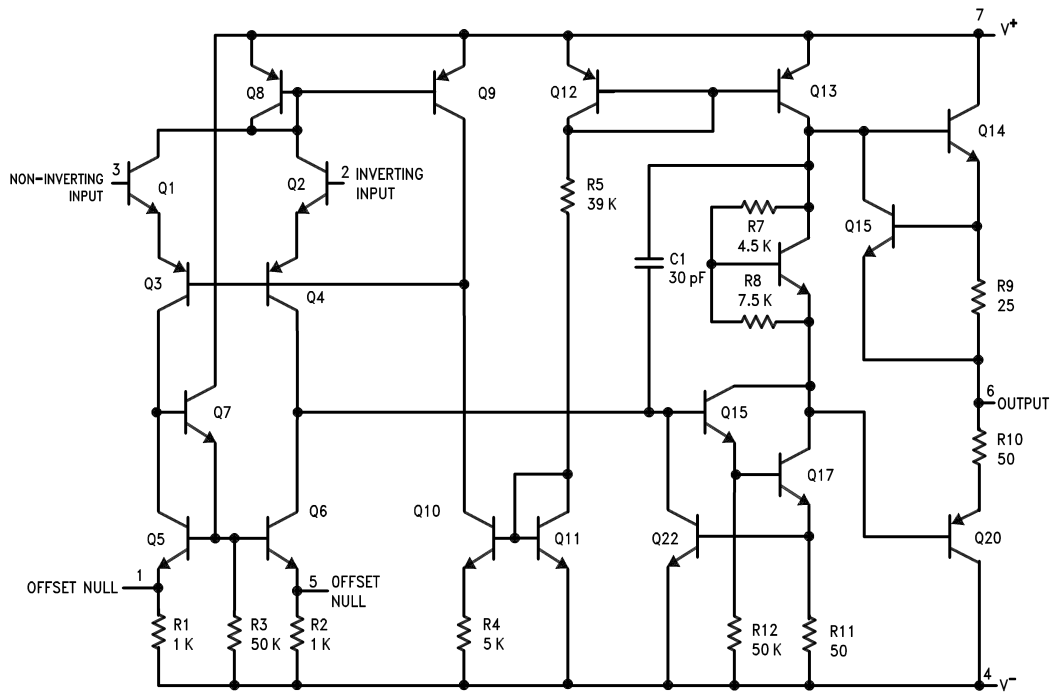
 (2) Calculated value from:  $\text{BW (MHz)} = 0.35/\text{Rise Time } (\mu\text{s})$ .

**Electrical Characteristics<sup>(1)</sup> (continued)**

Parameter	Test Conditions	LM741A			LM741			LM741C			Units
		Min	Typ	Max	Min	Typ	Max	Min	Typ	Max	
LM741A	$V_S = \pm 20V$ $T_A = T_{AMIN}$ $T_A = T_{AMAX}$			165							mW
LM741	$V_S = \pm 15V$ $T_A = T_{AMIN}$ $T_A = T_{AMAX}$					60 45	100 75				mW

Thermal Resistance	CDIP (NAB0008A)	PDIP (P0008E)	TO-99 (LMC0008C)	SO-8 (M)
$\theta_{JA}$ (Junction to Ambient)	100°C/W	100°C/W	170°C/W	195°C/W
$\theta_{JC}$ (Junction to Case)	N/A	N/A	25°C/W	N/A

**SCHEMATIC DIAGRAM**



---

**REVISION HISTORY**

<b>Changes from Revision B (March 2013) to Revision C</b>	<b>Page</b>
• Changed layout of National Data Sheet to TI format .....	<a href="#">4</a>

---

**PACKAGING INFORMATION**

Orderable Device	Status (1)	Package Type	Package Drawing	Pins	Package Qty	Eco Plan (2)	Lead/Ball Finish (6)	MSL Peak Temp (3)	Op Temp (°C)	Device Marking (4/5)	Samples
LM741CH	ACTIVE	TO-99	LMC	8	500	TBD	Call TI	Call TI	0 to 70	( LM741CH ~ LM741CH)	<a href="#">Samples</a>
LM741CH/NOPB	ACTIVE	TO-99	LMC	8	500	Green (RoHS & no Sb/Br)	Call TI	Level-1-NA-UNLIM	0 to 70	( LM741CH ~ LM741CH)	<a href="#">Samples</a>
LM741CN	LIFEBUY	PDIP	P	8	40	TBD	Call TI	Call TI	0 to 70	LM 741CN	
LM741CN/NOPB	ACTIVE	PDIP	P	8	40	Green (RoHS & no Sb/Br)	CU SN	Level-1-NA-UNLIM	0 to 70	LM 741CN	<a href="#">Samples</a>
LM741H	ACTIVE	TO-99	LMC	8	500	TBD	Call TI	Call TI	-55 to 125	( LM741H ~ LM741H)	<a href="#">Samples</a>
LM741H/NOPB	ACTIVE	TO-99	LMC	8	500	Green (RoHS & no Sb/Br)	Call TI	Level-1-NA-UNLIM	-55 to 125	( LM741H ~ LM741H)	<a href="#">Samples</a>
LM741J	ACTIVE	CDIP	NAB	8	40	TBD	Call TI	Call TI	-55 to 125	LM741J	<a href="#">Samples</a>
U5B7741312	ACTIVE	TO-99	LMC	8	500	TBD	Call TI	Call TI	-55 to 125	( LM741H ~ LM741H)	<a href="#">Samples</a>
U5B7741393	ACTIVE	TO-99	LMC	8	500	TBD	Call TI	Call TI	0 to 70	( LM741CH ~ LM741CH)	<a href="#">Samples</a>
U9T7741393	LIFEBUY	PDIP	P	8	40	TBD	Call TI	Call TI	0 to 70	LM 741CN	

(1) The marketing status values are defined as follows:

**ACTIVE:** Product device recommended for new designs.

**LIFEBUY:** TI has announced that the device will be discontinued, and a lifetime-buy period is in effect.

**NRND:** Not recommended for new designs. Device is in production to support existing customers, but TI does not recommend using this part in a new design.

**PREVIEW:** Device has been announced but is not in production. Samples may or may not be available.

**OBSOLETE:** TI has discontinued the production of the device.

(2) Eco Plan - The planned eco-friendly classification: Pb-Free (RoHS), Pb-Free (RoHS Exempt), or Green (RoHS & no Sb/Br) - please check <http://www.ti.com/productcontent> for the latest availability information and additional product content details.

**TBD:** The Pb-Free/Green conversion plan has not been defined.

**Pb-Free (RoHS):** TI's terms "Lead-Free" or "Pb-Free" mean semiconductor products that are compatible with the current RoHS requirements for all 6 substances, including the requirement that lead not exceed 0.1% by weight in homogeneous materials. Where designed to be soldered at high temperatures, TI Pb-Free products are suitable for use in specified lead-free processes.

**Pb-Free (RoHS Exempt):** This component has a RoHS exemption for either 1) lead-based flip-chip solder bumps used between the die and package, or 2) lead-based die adhesive used between the die and leadframe. The component is otherwise considered Pb-Free (RoHS compatible) as defined above.

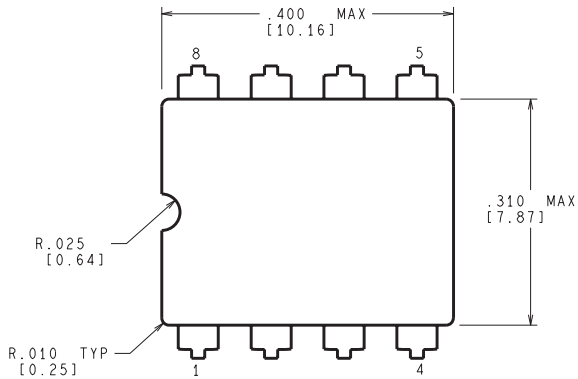
**Green (RoHS & no Sb/Br):** TI defines "Green" to mean Pb-Free (RoHS compatible), and free of Bromine (Br) and Antimony (Sb) based flame retardants (Br or Sb do not exceed 0.1% by weight in homogeneous material)

- (3) MSL, Peak Temp. - The Moisture Sensitivity Level rating according to the JEDEC industry standard classifications, and peak solder temperature.
- (4) There may be additional marking, which relates to the logo, the lot trace code information, or the environmental category on the device.
- (5) Multiple Device Markings will be inside parentheses. Only one Device Marking contained in parentheses and separated by a "~" will appear on a device. If a line is indented then it is a continuation of the previous line and the two combined represent the entire Device Marking for that device.
- (6) Lead/Ball Finish - Orderable Devices may have multiple material finish options. Finish options are separated by a vertical ruled line. Lead/Ball Finish values may wrap to two lines if the finish value exceeds the maximum column width.

**Important Information and Disclaimer:**The information provided on this page represents TI's knowledge and belief as of the date that it is provided. TI bases its knowledge and belief on information provided by third parties, and makes no representation or warranty as to the accuracy of such information. Efforts are underway to better integrate information from third parties. TI has taken and continues to take reasonable steps to provide representative and accurate information but may not have conducted destructive testing or chemical analysis on incoming materials and chemicals. TI and TI suppliers consider certain information to be proprietary, and thus CAS numbers and other limited information may not be available for release.

In no event shall TI's liability arising out of such information exceed the total purchase price of the TI part(s) at issue in this document sold by TI to Customer on an annual basis.

NAB0008A



CONTROLLING DIMENSION IS INCH  
VALUES IN [ ] ARE MILLIMETERS

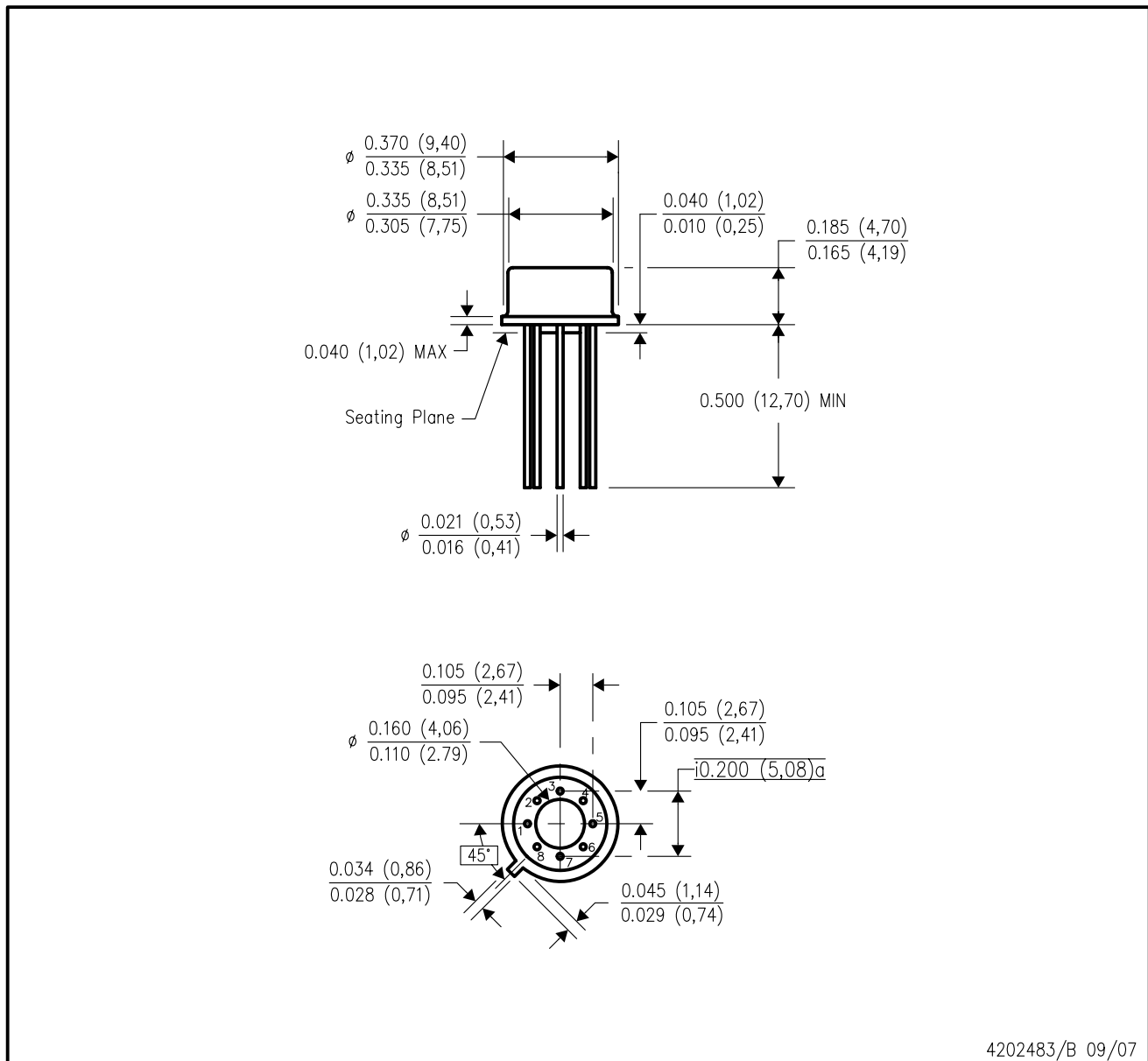


J08A (Rev M)



## LMC (O-MBCY-W8)

## METAL CYLINDRICAL PACKAGE



- NOTES:
- All linear dimensions are in inches (millimeters).
  - This drawing is subject to change without notice.
  - Leads in true position within  $0.010$  (0,25) R @ MMC at seating plane.
  - Pin numbers shown for reference only. Numbers may not be marked on package.
  - Falls within JEDEC MO-002/TO-99.

P (R-PDIP-T8)

PLASTIC DUAL-IN-LINE PACKAGE



- NOTES:
- A. All linear dimensions are in inches (millimeters).
  - B. This drawing is subject to change without notice.
  - C. Falls within JEDEC MS-001 variation BA.

## IMPORTANT NOTICE

Texas Instruments Incorporated and its subsidiaries (TI) reserve the right to make corrections, enhancements, improvements and other changes to its semiconductor products and services per JESD46, latest issue, and to discontinue any product or service per JESD48, latest issue. Buyers should obtain the latest relevant information before placing orders and should verify that such information is current and complete. All semiconductor products (also referred to herein as "components") are sold subject to TI's terms and conditions of sale supplied at the time of order acknowledgment.

TI warrants performance of its components to the specifications applicable at the time of sale, in accordance with the warranty in TI's terms and conditions of sale of semiconductor products. Testing and other quality control techniques are used to the extent TI deems necessary to support this warranty. Except where mandated by applicable law, testing of all parameters of each component is not necessarily performed.

TI assumes no liability for applications assistance or the design of Buyers' products. Buyers are responsible for their products and applications using TI components. To minimize the risks associated with Buyers' products and applications, Buyers should provide adequate design and operating safeguards.

TI does not warrant or represent that any license, either express or implied, is granted under any patent right, copyright, mask work right, or other intellectual property right relating to any combination, machine, or process in which TI components or services are used. Information published by TI regarding third-party products or services does not constitute a license to use such products or services or a warranty or endorsement thereof. Use of such information may require a license from a third party under the patents or other intellectual property of the third party, or a license from TI under the patents or other intellectual property of TI.

Reproduction of significant portions of TI information in TI data books or data sheets is permissible only if reproduction is without alteration and is accompanied by all associated warranties, conditions, limitations, and notices. TI is not responsible or liable for such altered documentation. Information of third parties may be subject to additional restrictions.

Resale of TI components or services with statements different from or beyond the parameters stated by TI for that component or service voids all express and any implied warranties for the associated TI component or service and is an unfair and deceptive business practice. TI is not responsible or liable for any such statements.

Buyer acknowledges and agrees that it is solely responsible for compliance with all legal, regulatory and safety-related requirements concerning its products, and any use of TI components in its applications, notwithstanding any applications-related information or support that may be provided by TI. Buyer represents and agrees that it has all the necessary expertise to create and implement safeguards which anticipate dangerous consequences of failures, monitor failures and their consequences, lessen the likelihood of failures that might cause harm and take appropriate remedial actions. Buyer will fully indemnify TI and its representatives against any damages arising out of the use of any TI components in safety-critical applications.

In some cases, TI components may be promoted specifically to facilitate safety-related applications. With such components, TI's goal is to help enable customers to design and create their own end-product solutions that meet applicable functional safety standards and requirements. Nonetheless, such components are subject to these terms.

No TI components are authorized for use in FDA Class III (or similar life-critical medical equipment) unless authorized officers of the parties have executed a special agreement specifically governing such use.

Only those TI components which TI has specifically designated as military grade or "enhanced plastic" are designed and intended for use in military/aerospace applications or environments. Buyer acknowledges and agrees that any military or aerospace use of TI components which have **not** been so designated is solely at the Buyer's risk, and that Buyer is solely responsible for compliance with all legal and regulatory requirements in connection with such use.

TI has specifically designated certain components as meeting ISO/TS16949 requirements, mainly for automotive use. In any case of use of non-designated products, TI will not be responsible for any failure to meet ISO/TS16949.

### Products

Audio	<a href="http://www.ti.com/audio">www.ti.com/audio</a>
Amplifiers	<a href="http://amplifier.ti.com">amplifier.ti.com</a>
Data Converters	<a href="http://dataconverter.ti.com">dataconverter.ti.com</a>
DLP® Products	<a href="http://www.dlp.com">www.dlp.com</a>
DSP	<a href="http://dsp.ti.com">dsp.ti.com</a>
Clocks and Timers	<a href="http://www.ti.com/clocks">www.ti.com/clocks</a>
Interface	<a href="http://interface.ti.com">interface.ti.com</a>
Logic	<a href="http://logic.ti.com">logic.ti.com</a>
Power Mgmt	<a href="http://power.ti.com">power.ti.com</a>
Microcontrollers	<a href="http://microcontroller.ti.com">microcontroller.ti.com</a>
RFID	<a href="http://www.ti-rfid.com">www.ti-rfid.com</a>
OMAP Applications Processors	<a href="http://www.ti.com/omap">www.ti.com/omap</a>
Wireless Connectivity	<a href="http://www.ti.com/wirelessconnectivity">www.ti.com/wirelessconnectivity</a>

### Applications

Automotive and Transportation	<a href="http://www.ti.com/automotive">www.ti.com/automotive</a>
Communications and Telecom	<a href="http://www.ti.com/communications">www.ti.com/communications</a>
Computers and Peripherals	<a href="http://www.ti.com/computers">www.ti.com/computers</a>
Consumer Electronics	<a href="http://www.ti.com/consumer-apps">www.ti.com/consumer-apps</a>
Energy and Lighting	<a href="http://www.ti.com/energy">www.ti.com/energy</a>
Industrial	<a href="http://www.ti.com/industrial">www.ti.com/industrial</a>
Medical	<a href="http://www.ti.com/medical">www.ti.com/medical</a>
Security	<a href="http://www.ti.com/security">www.ti.com/security</a>
Space, Avionics and Defense	<a href="http://www.ti.com/space-avionics-defense">www.ti.com/space-avionics-defense</a>
Video and Imaging	<a href="http://www.ti.com/video">www.ti.com/video</a>

### TI E2E Community

[e2e.ti.com](http://e2e.ti.com)